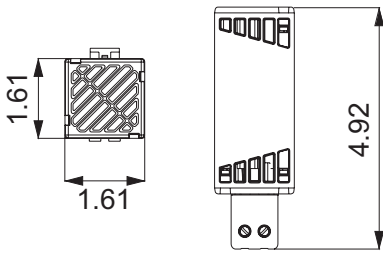
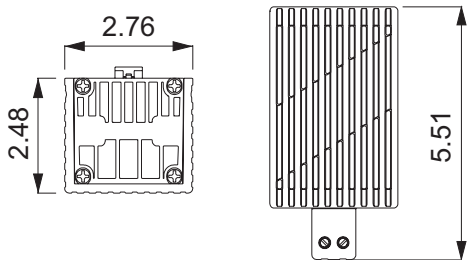


Touch Safe Heaters

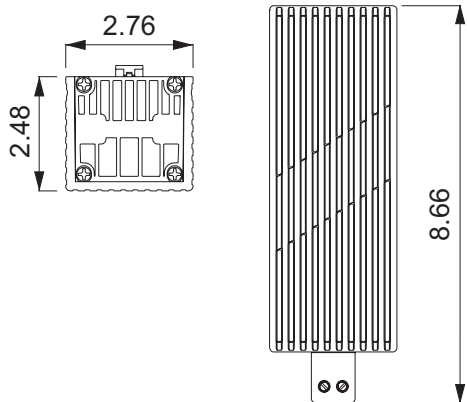
SCE-TSH25 & SCE-TSH50



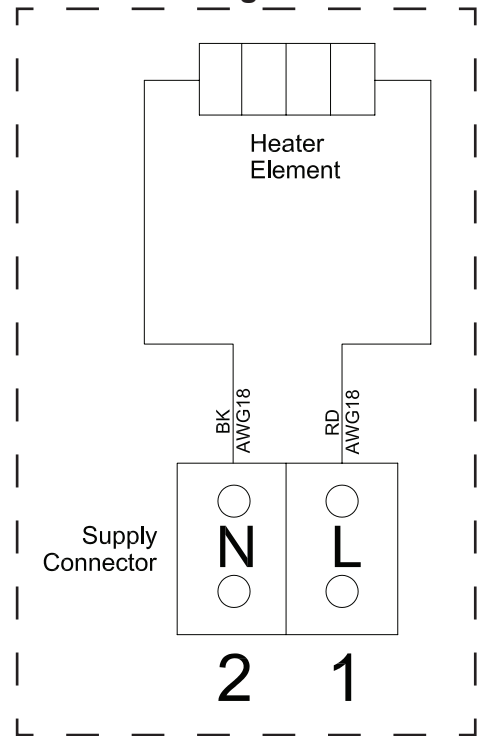
SCE-TSH75 & SCE-TSH100



SCE-TSH150



Circuit Diagram



Note: All heaters are delivered with DIN rail Clip 1.37 inch

Model Selction:

- Determine the surface area of the enclosure in square feet.
- Select the Touch Safe Heater unit from the chart based on square feet of the enclosure
- Units should be installed in the lower quarter of the enclosure

When enclosure width is greater than height, two smaller units will heat the area more efficiently than one larger unit.

Surface Area Equation:

$$2[(\text{Height} \times \text{Width}) + (\text{Height} \times \text{Depth}) + (\text{Width} \times \text{Depth})] \div 144$$

Sq. Foot Area	SCE-TSH25	SCE-TSH50	SCE-TSH75	SCE-TSH100	SCE-TSH150
0 - 8	One				
9 - 16	One				
17 - 24		One			
25 - 32		One			
33 - 40			One		
41 - 48			One		
49 - 56			One		
57 - 64			One		
65 - 72				One	
73 - 80				One	
81 - 88					One
89 - 120					One